



Rove Concepts

Augustus Desk

A fresh and avant-garde take on office furniture, the Augustus Desk elevates any space. The subtle brass metal detailing enhances the luxurious stone base. While the smooth top available in walnut, matte black, or white lacquer adds a touch of modern utility. Combine with the Augustus Storage Unit for the ultimate office space.

Details

- Available in walnut veneer, matte black veneer, or white lacquer finish
- California Phase 2 Compliant MDF
- Choose either white or black marble or white or black ceramic base
- Cable management included
- Solid brass metal legs
- Assembly required
- Available in two sizes
- This product will be shipped in a wooden crate, tools are recommended for unboxing

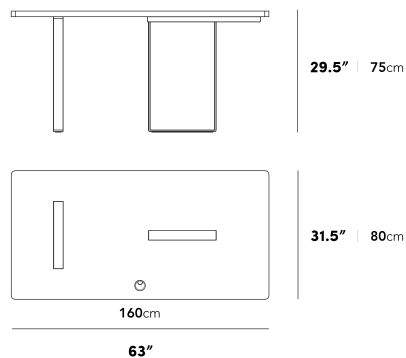
Dimensions

63 in x 31.5 in x 29.5 in (Width x Depth x Height)
All measurements are approximations.

Assembly Instructions

[Download](#)

Augustus Desk 63"



Augustus Desk 88"

